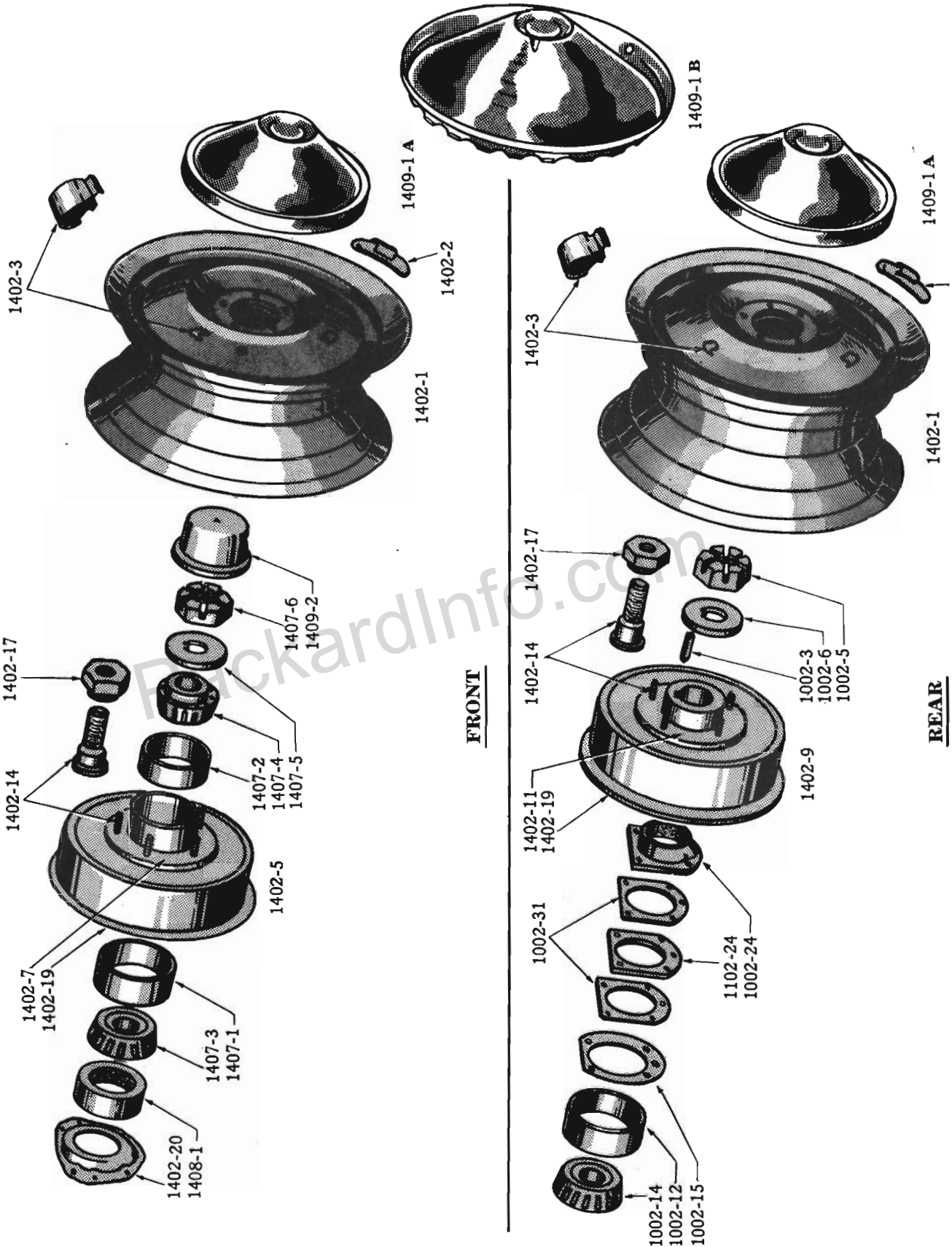


WHEELS

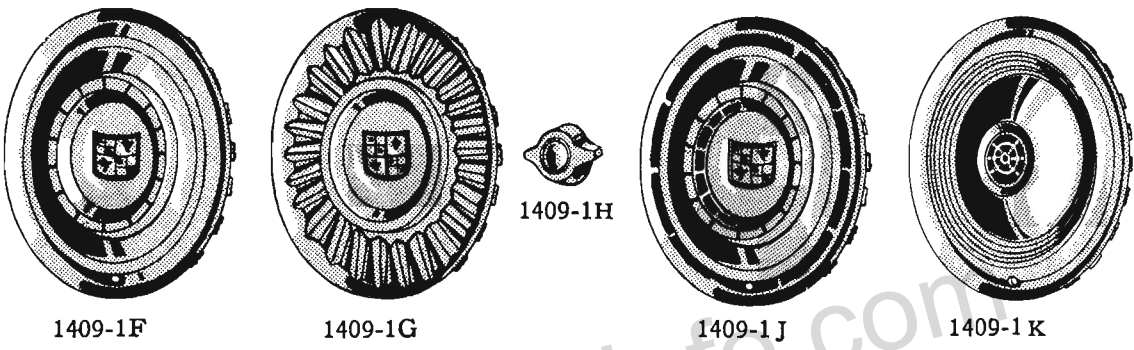
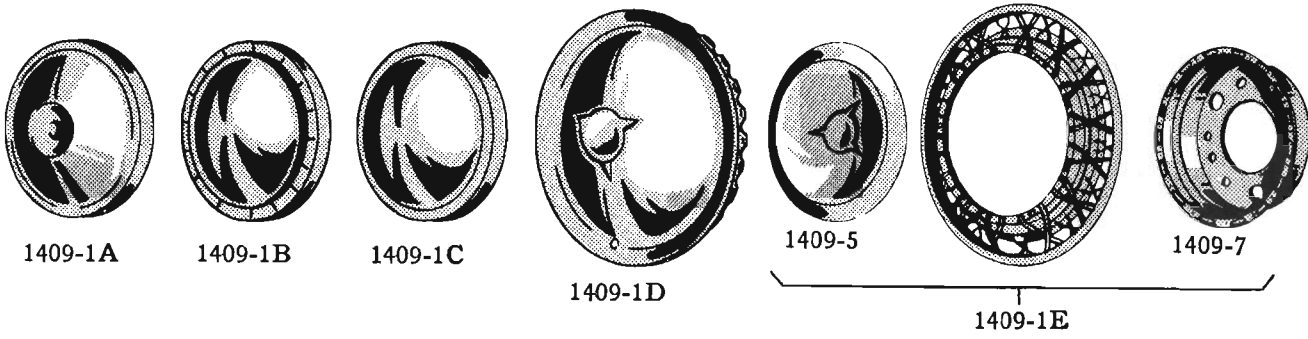
Plate 14-1



TYPICAL WHEELS, HUBS, DRUMS, CAPS, BEARINGS, ETC.

WHEELS

ILLUST. NUMBER	PART NUMBER	CHANGE	DESCRIPTION	MODELS	PER CAR
----------------	-------------	--------	-------------	--------	---------



C-3392

HUB CAPS AND DISCS

ILLUST. NUMBER	PART NUMBER	CHANGE	DESCRIPTION	MODELS	PER CAR
----------------	-------------	--------	-------------	--------	---------

1402- WHEELS, HUBS AND DRUMS (Plate 14-1)

ILLUST. NUMBER	PART NUMBER	CHANGE	DESCRIPTION	MODELS	PER CAR
			WHEEL SIZE		
1402-1	537540P	●	WHEEL, LESS TRIM RING - PRIME-U.S.A. 15 X 5.00K	ALL EXCEPT 57L	5
1402-1	1542191P		WHEEL, LESS TRIM RING - PRIME-U.S.A. 15 X 4.50	57G.	5
1402-1	1543571P		WHEEL, LESS TRIM RING - PRIME-U.S.A. 15 X 5.50K	57L.	5
1402-1	529132P		WHEEL, LESS TRIM RING - PRIME-CANADA 15 X 5.00K	ALL MODELS	5
1402-1	1542332P		WHEEL, LESS TRIM RING - PRIME-CANADA 15 X 4.50	57G.	5
		●	USED ON 57G - W-F-C-K WITH 15 X 6.70 TIRES ON SPECIAL ORDERS.		
1402-2	190983		WEIGHT, WHEEL BALANCE - 1 OZ.	ALL MODELS	*
1402-2	190984		WEIGHT, WHEEL BALANCE - 2 OZ.	ALL MODELS	*
1402-2	190985		WEIGHT, WHEEL BALANCE - 3 OZ.	ALL MODELS	*
1402-3	526646		SPRING, HUB COVER RETAINING	ALL MODELS	15
	536701		VALVE ASSY., TUBELESS TIRE.	ALL MODELS	5
	AC-1401		RING, WHEEL TRIM - STAINLESS STEEL.	ALL MODELS	5

* - USE AS REQUIRED.

WHEELS

1402

ILLUST. NUMBER	PART NUMBER	CHANGE	DESCRIPTION	MODELS	PER CAR
1402- WHEELS, HUBS AND DRUMS - Cont'd.					
(Plate 14-1)					
HUBS AND DRUMS					
FRONT WHEEL HUB AND DRUM ASSEMBLIES INCLUDE BEARING CUPS AND STUDS.					
1402-5	534812		HUB AND DRUM, RIGHT FRONT.	16G6	1
	534813		HUB AND DRUM, LEFT FRONT	16G6	1
1402-5	1539468		HUB AND DRUM, RIGHT FRONT.	56G.	1
	1539469		HUB AND DRUM, LEFT FRONT	56G.	1
1402-5	1539466		HUB AND DRUM, RIGHT FRONT, HD., POLICE CAR AND TAXI	} U.S.A. 56G.	1
	1539467		HUB AND DRUM, LEFT FRONT, HD., POLICE CAR AND TAXI		
1402-5	534812		HUB AND DRUM, RIGHT FRONT - NOTE 1	} CANADA 56G.	1
	534813		HUB AND DRUM, LEFT FRONT - NOTE 1		
1402-5	1539468		HUB AND DRUM, RIGHT FRONT - NOTE 2	} CANADA 56G.	1
	1539469		HUB AND DRUM, LEFT FRONT - NOTE 2		
1402-5	1542150		HUB AND DRUM, RIGHT FRONT.	57G.	1
	1542151		HUB AND DRUM, LEFT FRONT	57G.	1
1402-5	1542148		HUB AND DRUM, RIGHT FRONT	} HEAVY DUTY 57G.	1
	1542149		HUB AND DRUM, LEFT FRONT		
1402-5	534808		HUB AND DRUM, RIGHT FRONT.	16G8, 6H.	1
	534809		HUB AND DRUM, LEFT FRONT	16G8, 6H.	1
1402-5	1539466		HUB AND DRUM, RIGHT FRONT. } USED WITH	56B.	1
	1539467		HUB AND DRUM, LEFT FRONT. } 259" ENGINE	56B.	1
1402-5	1539460		HUB AND DRUM, RIGHT FRONT. } USED WITH	56B.	1
	1539461		HUB AND DRUM, LEFT FRONT. } 289" ENGINE	56B.	1
1402-5	1542148		HUB AND DRUM, RIGHT FRONT.	57B.	1
	1542149		HUB AND DRUM, LEFT FRONT	57B.	1
1402-5	1539460		HUB AND DRUM, RIGHT FRONT.	56H, 56J, 57H, 57L.	1
	1539461		HUB AND DRUM, LEFT FRONT	56H, 56J, 57H, 57L.	1
1402-7	533904		HUB AND CUPS, FRONT WHEEL.	16G, 6H	2
1402-7	1539455		HUB AND CUPS, FRONT WHEEL.	ALL EXCEPT 16G, 6H.	2
1402-9	534104		HUB AND DRUM, RIGHT REAR	16G6, 56G	1
	534105		HUB AND DRUM, LEFT REAR.	16G6, 56G	1
1402-9	534810		HUB AND DRUM, RIGHT REAR	} HEAVY DUTY POLICE 56G.	1
	534811		HUB AND DRUM, LEFT REAR.		
1402-9	1542154		HUB AND DRUM, RIGHT REAR	56G.	1
	1542155		HUB AND DRUM, LEFT REAR.	57G.	1
1402-9	1542152		HUB AND DRUM, RIGHT REAR	} HEAVY DUTY 57G.	1
	1542153		HUB AND DRUM, LEFT REAR.		
1402-9	534810		HUB AND DRUM, RIGHT REAR	16G8, 6H.	1
	534811		HUB AND DRUM, LEFT REAR.	16G8, 6H.	1
1402-9	534810		HUB AND DRUM, RIGHT REAR	} USED WITH 56B.	1
	534811		HUB AND DRUM, LEFT REAR.		
1402-9	1539462		HUB AND DRUM, RIGHT REAR	} USED WITH 56B.	1
	1539463		HUB AND DRUM, LEFT REAR.		
1402-9	1542152		HUB AND DRUM, RIGHT REAR	57B.	1
	1542153		HUB AND DRUM, LEFT REAR.	57B.	1
1402-9	1539462		HUB AND DRUM, RIGHT REAR	56H, 56J, 57H, 57L.	1
	1539463		HUB AND DRUM, LEFT REAR.	56H, 56J, 57H, 57L.	1
1402-11	533901		HUB ONLY, REAR WHEEL	ALL MODELS	2
1402-14	196930		STUD, RIGHT WHEEL HUB.	ALL MODELS	10
	196931		STUD, LEFT WHEEL HUB	ALL MODELS	10
1402-17	196308		NUT, RIGHT HUB STUD.	ALL MODELS	10
	196309		NUT, LEFT HUB STUD	ALL MODELS	10

NOTES { 1 - USED ON MODEL 56G BEFORE CAR SERIAL G-764,098.
2 - USED ON AND AFTER CAR SERIAL IN NOTE 1.

WHEELS

ILLUST. NUMBER	PART NUMBER	CHANGE ✓	DESCRIPTION	MODELS	PER CAR
1402- WHEELS, HUBS AND DRUMS - Cont'd.					
(Plate 14-1)					
HUBS AND DRUMS - Cont'd.					
1402-18	535524		DRUM, FRONT WHEEL BRAKE	16G6,56G	2
1402-18	535526		DRUM, FRONT WHEEL BRAKE - HD., POLICE CARS & TAXI CABS	56G.	2
1402-18	1542157		DRUM, FRONT WHEEL BRAKE	57G.	2
1402-18	1542156		DRUM, FRONT WHEEL BRAKE	57G.	2
1402-18	535526		DRUM, FRONT WHEEL BRAKE	16G8,6H.	2
1402-18	535526		DRUM, FRONT WHEEL BRAKE - USED WITH 259" ENGINE	56B.	2
1402-18	1539459		DRUM, FRONT WHEEL BRAKE - USED WITH 289" ENGINE	56B.	2
1402-18	1542156		DRUM, FRONT WHEEL BRAKE	57B.	2
1402-18	1539459		DRUM, FRONT WHEEL BRAKE	56H,56J,57H,57L.	2
1402-19	535525		DRUM, REAR WHEEL BRAKE.	16G6,56G	2
1402-19	535524		DRUM, REAR WHEEL BRAKE - H.D., POLICE CARS & TAXI CABS.	56G.	2
1402-19	1542158		DRUM, REAR WHEEL BRAKE.	57G.	2
1402-19	1542157		DRUM, REAR WHEEL BRAKE - HEAVY DUTY	57G.	2
1402-19	535524		DRUM, REAR WHEEL BRAKE.	16G8,6H.	2
1402-19	535524		DRUM, REAR WHEEL BRAKE - USED WITH 259"ENGINE	56B.	2
1402-19	1539464		DRUM, REAR WHEEL BRAKE - USED WITH 289" ENGINE.	56B.	2
1402-19	1542157		DRUM, REAR WHEEL BRAKE.	57B.	2
1402-19	1539464		DRUM, REAR WHEEL BRAKE.	56H,56J,57H,57L.	2
1402-20	535508		CATCHER, RIGHT, FRONT BRAKE DRUM OIL	16G6,56G,57G	1
	535509		CATCHER, LEFT, FRONT BRAKE DRUM OIL	16G6,56G,57G	1
1402-20	529085		CATCHER, FRONT BRAKE DRUM OIL	ALL EXCEPT 16G6,56G,57G.	2
1407- FRONT WHEEL BEARINGS, NUTS, ETC.					
(Plate 14-1)					
1407-1	677309		CUP, INNER BEARING.	16G,6H	2
1407-1	473259		CUP, INNER BEARING.	ALL EXCEPT 16G,6H.	2
1407-2	677310		CUP, OUTER BEARING.	16G,6H	2
1407-2	473257		CUP, OUTER BEARING.	ALL EXCEPT 16G,6H.	2
1407-3	677308		CONE AND ROLLERS, INNER BEARING	16G,6H	2
1407-3	473258		CONE AND ROLLERS, INNER BEARING - U.S.A.	ALL EXCEPT 16G,6H.	2
1407-3	677308		CONE AND ROLLERS, INNER BEARING - NOTE 1 } CANADA	56G.	2
1407-3	473258		CONE AND ROLLERS, INNER BEARING - NOTE 2 } CANADA	56G,56B,56H,57G,57B,57H.	2
1407-4	677311		CONE AND ROLLERS, OUTER BEARING	16G,6H	2
1407-4	473256		CONE AND ROLLERS, OUTER BEARING - U.S.A.	ALL EXCEPT 16G,6H.	2
1407-4	677311		CONE AND ROLLERS, OUTER BEARING - NOTE 1 } CANADA	56G.	2
1407-4	473256		CONE AND ROLLERS, OUTER BEARING - NOTE 2 } CANADA	56G,56B,56H,57G,57B,57H.	2
1407-5	130986		WASHER, BEARING NUT LOCK.	16G,6H	2
1407-5	1539026		WASHER, BEARING NUT LOCK - U.S.A.	ALL EXCEPT 16G,6H.	2
1407-5	130986		WASHER, BEARING NUT LOCK - NOTE 1 } CANADA	56G	2
1407-5	1539026		WASHER, BEARING NUT LOCK - NOTE 2 } CANADA	56G,56B,56H,57G,57B,57H.	2
1407-6	510292		NUT, BEARING LOCK 3/4" X 1/4"	ALL MODELS	2
	-----		COTTER, 1/8" X 1-1/4"	ALL MODELS	2

NOTES { 1 - USED ON MODEL 56G BEFORE CAR SERIAL G-764,098.
 2 - USED ON AND AFTER CAR SERIAL IN NOTE 1.

WHEELS

1413

ILLUST. NUMBER	PART NUMBER	CHANGE	DESCRIPTION	MODELS	PER CAR
1408- FRONT WHEEL GREASE WASHERS (Plate 14-1)					
1408-1	677314		WASHER AND RETAINER, FRONT WHEEL FELT	16G,6H	2
1408-1	1539027		WASHER AND RETAINER, FRONT WHEEL FELT - U.S.A.	ALL EXCEPT 16G,6H.	2
1408-1	677314		WASHER AND RETAINER, FRONT WHEEL FELT -	56G.	2
			NOTE 1		
1408-1	1539027		WASHER AND RETAINER, FRONT WHEEL FELT -	56G,56B,56H,57G,57B,57H	2
			NOTE 2 } CANADA		
1409- WHEEL HUB COVERS OR CAPS (Plates 14-1,2)					
1409-1A	532324		CAP, HUB.	16G,6H	4
1409-1B	519116		CAP, HUB - U.S.A.	ALL EXCEPT 16G,6H,57L.	4
1409-1A	532324		CAP, HUB - NOTE 3	56G,56B,56H.	4
1409-1C	527858		CAP, HUB - NOTE 4 } CANADA	56G,56B,56H,56G,57B,57H.	4
1409-1D	AC-2492		CAP AND DISC., HUB - (CHROME)	16G,6H	4
1409-1E	AC-2425		CAP AND DISC., HUB - (WIRE WHEEL)	16G,6H,56G,56B,56H,56J	4
1409-1F	AC-2738		CAP AND DISC., HUB - (FULL DISC.)	56G,56B,56H,56J.	4
1409-1J	AC-2841		CAP AND DISC., HUB - (FULL DISC.)	57G.	4
1409-1K	465949		CAP AND DISC., HUB - (FULL DISC.)	57L.	4
1409-1G	AC-2799		CAP AND DISC., HUB - (SPOKE TYPE)	ALL EXCEPT 16G,6H,57L.	4
1409-1H	AC-2497		CAP, SPORTSTER HUB.	16G,6H,56G,56B,56H,56J	4
	AC-1994		DISC, WHEEL TRIM (CANADA).	ALL EXCEPT 56J	4
1409-2	188102		CAP, FRONT WHEEL HUB GREASE	16G,6H	2
1409-2	188102		CAP, FRONT WHEEL HUB GREASE - CANADA - NOTE 1	56G.	2
1409-2	1539025		CAP, FRONT WHEEL HUB GREASE - NOTE 2.	ALL EXCEPT 16G,6H.	2
1409-5	534084		COVER, HUB (INCL. IN AC 2425)	16G,6H,56G,56B,56H,56J	4
1409-7	534515		RETAINER, CAP & DISC. (INCL. IN AC-2425).	16G,6H,56G,56B,56H,56J	4
	G134420		BOLT, TO DISC, 1/4" - 20 X 5/8"	16G,6H,56G,56B,56H,56J	12
	1542X28		SPEED NUT 1/4".	16G,6H,56G,56B,56H,56J	12
	534127		EXTENSION, TIRE VALVE (FOR AC-2425 WIRE WHEEL).	16G,6H,56G,56B,56H,56J	4
1413- REAR COMPARTMENT WHEEL CARRIER (ILLUST. BODY PARTS CATALOG)					
1413-1	293807		CLAMP, SPARE WHEEL (LUG TYPE) W-Y-F	16G,6H	1
1413-1	1312818		CLAMP, SPARE WHEEL (LUG TYPE) W-Y-F	56G,56B,56H,57G,57B,57H,57L.	1
1413-1	264388		CLAMP, SPARE WHEEL (DISC. TYPE) C-K-D-P } NOTE 5		
	----		CLAMP, SPARE WHEEL - NOTE 6 (USE JACK BASE)	ALL MODELS	1
				57G,57B,57H.	1
			LENGTH		
1413-6	293804		BOLT, SPARE WHEEL HOLD DOWN " J" - W-F.	16G.	1
1413-6	293805		BOLT, SPARE WHEEL HOLD DOWN " J" - Y.	6H	1
1413-6	306020		BOLT, SPARE WHEEL HOLD DOWN 1/2"-13 X 5 1/2"-C.K.	16G,6H	1
1413-6	1296X612		BOLT, SPARE WHEEL HOLD DOWN 1/2"-13 X 4 7/8" -D.	16G.	1

NOTES

- 1 - USED ON MODEL 56G BEFORE CAR SERIAL G-764,098.
- 2 - USED ON AND AFTER CAR SERIAL IN NOTE 1.
- 3 - USED ON MODELS

56G	56B	56H
BEFORE CAR SERIALS	G-765,520 8,960,618	7,900,919
- 4 - USED ON AND AFTER CAR SERIALS IN NOTE 3.
- 5 - USED ON MODELS

57G	57B	57H
BEFORE CAR SERIALS	G-1,383,411 8,459,126	7,193,739
- 6 - USED ON AND AFTER CAR SERIALS IN NOTE 5.

WHEELS

ILLUST. NUMBER	PART NUMBER	CHANGE <input checked="" type="checkbox"/>	DESCRIPTION	MODELS	PER CAR
1413- REAR COMPARTMENT WHEEL CARRIER - Cont'd.					
1413-6	19X122		BOLT, SPARE WHEEL HOLD DOWN 3/8" - 16 X 6" - W-Y-F (NOTE 5)	56G, 56B, 56H, 57G, 57B, 57H, 57L.	1
1413-6	19X367		BOLT, SPARE WHEEL HOLD DOWN 3/8" - 16 X 7" - W-Y-F (NOTE 6)	57G, 57B, 57H.	1
1413-6	1296X614		BOLT, SPARE WHEEL HOLD DOWN 1/2" - 13 X 6 1/4" - C-K.	ALL EXCEPT 16G, 6H.	1
1413-6	1296X612		BOLT, SPARE WHEEL HOLD DOWN 1/2" - 13 X 4 7/8" - D-P.	ALL EXCEPT 16G, 6H, 56J.	1
1413-9	G144235		WING NUT, 7/16"-14 (FOR 293804-293805)	16G, 6H	1
1413-9	1312817		WING NUT, 3/8" -16 (FOR 19X 122 - 19X367)	56G, 56B, 56H, 57G, 57B, 57H, 57L.	1
	G120395		WASHER, PLAIN (FOR 293804-293805)	16G, 6H	1
	G120396		WASHER, PLAIN (FOR 306020-1296X612-1296X614)	ALL MODELS	1

PackardInfo.com

NOTES { 5 - USED ON MODELS 57G | 57B | 57H
 BEFORE CAR SERIALS G-1,383,411 | 8,459,126 | 7,193,739
 6 - USED ON AND AFTER CAR SERIALS IN NOTE 5.